

Sensorflow 21 Compact Washbasin Spout Integral Sensor, Link

ILLUSTRATED

A4853 Sensorflow 21 compact washbasin mounted spout with integral sensor, 3.7 litre per minute aerated spray outlet, combined inline servicing valve and filter, link

ILLUSTRATED PRODUCT DETAILS

Weights

A4853 1.50 KG

Finishes

A4853  Chrome (AA)

Materials

A4853 Chrome Plated Brass

Flow rates

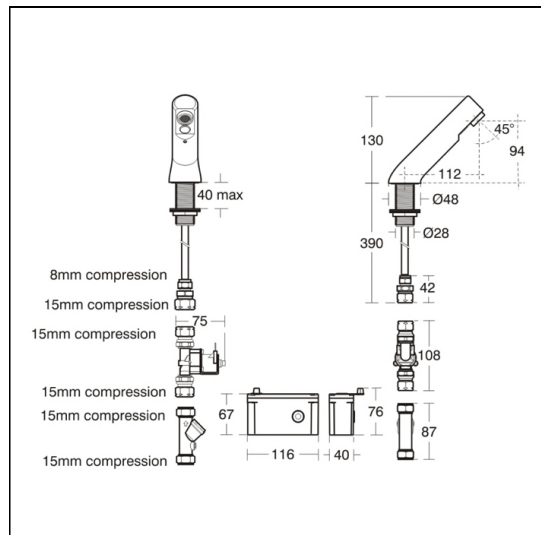
A4853 3.7 Litres per minute @ 3 bar pressure

FINISH OPTIONS



Special Notes

All spouts supplied with individual solenoid valve and combined servicing valve including filter. Consideration should be given to safe hot water delivery and the use of an appropriate temperature reduction device, please see A5900AA (for use with 15mm pipework) or A5901AA (for use with 22mm pipework). Spouts with integral sensors detect hands within the sensing range and the solenoid valve is opened. Automatically shuts off if sensor is obstructed for a maximum of 50 seconds. Must link to mains version A4852AA, alternatively there are stand alone battery powered units. Flow rate 3.7 litres per minute with fitted flow regulator.



ACCREDITATIONS

A4853(AA)

Unified Water Label  **3.70** Litres Per Minute



1710043

FEATURES

